

Professional
Glass washing

with the original Spülboy® glass washers



THE ORIGINAL SPÜLBOY® GLASS WASHING SYSTEM

If you really want to enjoy a beer, a clean glass plays a decisive role. Residue of other drinks, aggressive cleansing liquids, dishwashing liquid or even lipstick traces without fail spoil the pure taste of beer. A crystal-clear glass is also the hallmark of hygiene in a pub and is certainly always good advertising for the pub-owner.

The Original-Spülboy® guarantees a perfect washing result.

All Spülboy® glass washers work only with water pressure. They are fast and easy to handle. They also save a large amount of water and space.



Used water drain

In order to improve water quality in the pre-wash container, the used water drain is placed diametrically opposite the fresh water inlet point.

Plug-in connector

The new plug-in standard connector enables fast and problem-free dismantling of the connection tube.

Closed construction

The hermetically closed construction of the base facilitates cleaning of the device and ensures hygienical comfortable washing. In this respect, the Spülboy complies with the strict requirements of the German hygiene legislation.

Soft-Pads

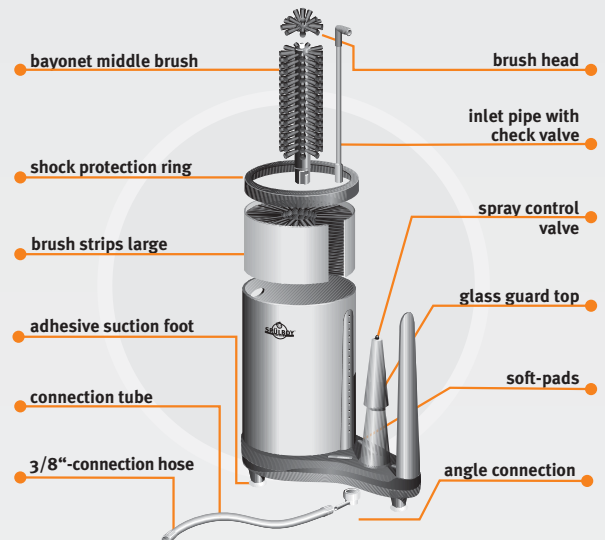
Soft-Pads protect glasses against breakage.

NEPTUN T2000 with telescopic rinsing

The Spülboy® Neptun T2000 is our exclusive model with open rinsing. Washes easily and elegantly all glasses from liquor to wheat beer glasses up to a depth of 24 cm. Fast and easy: only one container needs cleaning. Fits in every counter sink from a size of 33 x 19 cm.

Technical data:

Length: 33 cm
Width: 19 cm
Container Ø: 18 cm
Weight: 1,9 kg



Glasses are washed mechanically in a pre-wash container with interior and exterior brushes. Every glass is rinsed with fresh water in a post-wash container or with open rinsing (depending on model) with the patented 2-level valve inside and outside.

Water is only used when rinsing is activated. Fresh water also runs in the pre-wash container parallel to the rinsing of the glass, thus ensuring constant fresh water supply.

All Spülboy® glass washers are manufactured in accordance with the ordinance on drinking bar equipment TRSK 400, clause 5.7.4. and only require one sink. In the future, all devices will upon request be equipped with the KTW and DVGW tested and approved water connection tubes in accordance with the new drinking water ordinance of January 1st 2003.

All glass types, also wheat beer glasses, are washed perfectly and the guests can enjoy the pure taste of beer!



TWIN-GO Telescope

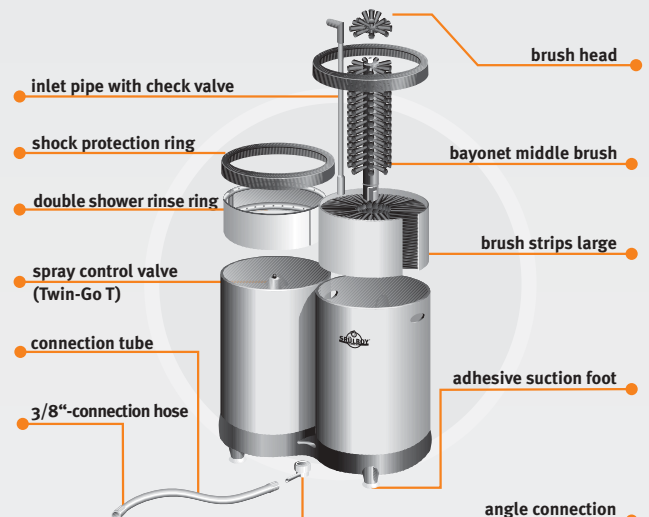
Well-established Spülboy® with new technical refinements. As "Twin-Go T", the robust 2-container unit inherited the current flexible telescopic rinsing system from Neptun T2000. Here as well, you can also wash all glasses including handle and foot up to a depth of 24 cm.

The former version of the Spülboy® "Twin-Go" - without telescopic valve - with fixed rinsing - can still be ordered as a less costly alternative.

Technical data:

Length: 37,5 cm
 Width: 18,5 cm
 Height: 32,5 cm
 Container Ø: 18 cm
 Weight: 2,9 kg

Twin-Go T Art.-No. • 1550
 Twin-Go T - Portable Art.-No. • 1552



- Optimal glass washing, no fat or lipstick traces
- Large water savings thanks to pressure rinser (water only runs in when a glass is rinsed)
- Separate pre-and post-washing in one counter sink
- Two-level telescopic valve ensures fresh water rinsing

- Preservation of glass decoration, because no hot rinsing
- Problem-free connection. The mounted 3/8 connection hose fits into the thread of the bottom rinsing valve
- Easy cleaning of the unit: brush strips and bayonet middle brush, as well as shock-protection rings and rinse shower rings are easy to remove



SPÜLBOY® No. 3

Our "small one" takes only little space and fits safely into every counter area. It can be used in the counter sink or also, with additional equipment, as "Portable" without counter sinks.

The Spülboy® No 3 has a container diameter of 15 cm, a bayonet middle brush, a simple shower rinse ring and a fixed rinsing facility.

Technical data:
 Length: 32,5 cm
 Width: 16 cm
 Height: 31 cm
 Container Ø: 15 cm
 Weight: 2,1 kg



BLENDER CUP WASHER

Washes your blender cup with a jet of fresh water. Everything you need is a sink and a water connection. Then the device can be used immediately. There is no need to switch on and off.

Technical data:
 Height: 31 cm
 Base Ø: 14,5 cm
 Weight: 0,6 kg

Professional accessories for the catering business

To achieve a perfect washing result, we offer glass washing tablets and special cleansing agents, especially developed for Spülboy®. You can also conveniently order from us any further accessories that you need.

Performance that convinces

- Supplier to the catering business for 30 years
- Fast and reliable service
- Supplying spare parts for 10 years



SPECIAL CLEANSING AGENT

1kg box. For all glass washing brushes. Add two tablespoons in 5 l hot water and let it work in on the brushes overnight.

Art.-No. • 29 10



GLASS WASHING TABLETS

For all glass washers, 750 g for 192 fillings. 1/4 tablet in pre-wash container caters for beer froth-friendly glasses.

Art.-No. • 29 38



STARTER KIT

A pack of washing tablets for 192 fillings, a 1kg box of special cleansing agent and a brush head.

Art.-No. • 29 30



WASHING BRUSHES

3 sets out of plastic, with staggering bristle bundle.

heights:
Art.-No. 18/18/18 cm • 2110
18/25/18 cm • 2120
25/25/25 cm • 2130



KEG BUSHES

Flat or basket fitting. Indispensable for kegs.

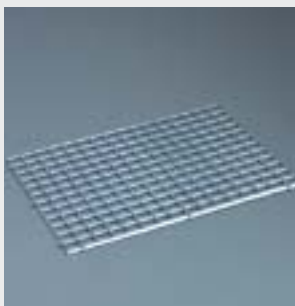
Art.-No. flat fitting ø 8cm • 8110
basket fitting ø 4cm • 8120



DRIP TRAY

Effective draining of glasses without limescale residues
Size: 30 x 40 cm, set of 2

Art.-No. 33 x 43 cm • 29 50
63 x 43 cm • 29 55



DRIP MATS

Effective draining of glasses without limescale residues
Size: 30 x 40 cm, set of 2

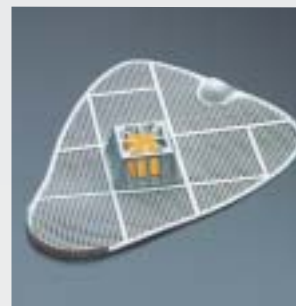
Art.-No. • 29 40



INLET SIEVE

Suitable for all commercial urinals.
Set of 4.

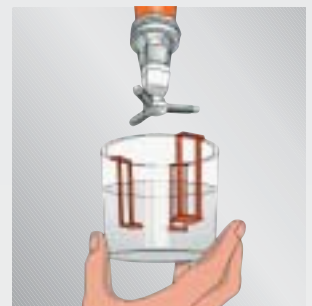
Art.-No. small 23,5cm long • 8185
large 31cm long • 8180



INLET SIEVE WITH INSET

Suitable for all deodorant stones.
Inset can be refilled. Set of 4.

Art.-No. small 23,5cm long • 8186
large 31cm long • 81 81



LIQUOR PORTION DISPENSER WASHER

Fast and convenient washing of all liquor portion dispenser overnight, without dismantling.

Art.-No. New patent! • 75 10

We have been manufacturing Original Spülboys® for over 30 years in our works in Wuppertal, meeting the most stringent requirements. Permanent control in our modern ISO-certified company ensure constant product quality in terms of faultless function, long life and high functionality.

Original Spülboys® now belong to the standard range of modern catering equipment and are a guarantee for perfect glass washing. We are striving to meet our world-wide customers requirements, that is why customer service always comes first.



Our company buildings in Wuppertal-Vohwinkel

Advantages of the Spülboy® glass washers:

- Easy installation and handling
- Environmentally sound and watersaving
- Function without electricity, only water connection necessary
- Reliable use and aesthetic design
- 2 years guarantee, 10 years spare parts supply
- Ensure perfect glass washing

Satisfied Spülboy® customers can now be found in many countries



Schicker & Schäfer GmbH
Glass washing equipment
Simonshöfchen 53
42327 Wuppertal/Germany
Tel: +49(0)202-6 95 32-0
Fax: +49(0)202-6 95 32-10
E-mail: info@spuelboy.de
www.spuelboy.de