

Unique possibilities with Eyeleds® PowerEYE®

From now on, energy-wasting (built-in) spotlights, the frequent changing of broken light bulbs, heat problems and the necessity of a lowered ceiling for built-in spotlights are a thing of the past! With its innovative PowerEYE® lighting system, Eyeleds® introduces the option of using functional lighting where you never thought possible!

Unique to Eyeleds® are the wide range of choices, the flexibility and, last but not least, the ease with which the lighting can be installed – not necessarily by a qualified electrician! This ease of installation is the result of the extremely shallow depth (only 6.5mm). As a consequence, it is possible to use Eyeleds® in all materials with a thickness of 7mm or more.

With Eyeleds® PowerEYE® you can achieve functional lighting with a sober, timeless character!

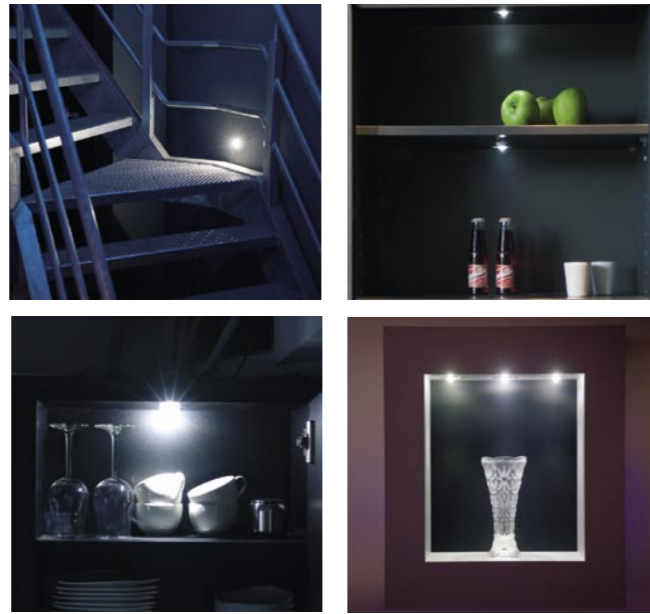
A quality product with unprecedented performance

Eyeleds® PowerEYE® complies with the strictest quality and safety requirements that apply to lighting. The hard-wearing, waterproof (IP67) housing is made from stainless steel and is fitted with UV resistant materials. The PowerEYE® is equipped with ultramodern quality LED technology.

This latest generation of Power LED is characterised by the most powerful intensity of light currently available on the market. In the PowerEYE® model, this light source generates about 60 Lumen, comparable with the light yield of a small halogen lamp. The major advantage of the PowerEYE® compared to conventional lighting is the substantially reduced energy consumption with the same intensity of light and the spectacularly long life. The maximum operating temperature of 55°C means an unprecedented number of uses in a wide variety of materials.

Two models with extensive applications

The Eyeleds® PowerEYE® is available in the 360 and the 180 models. The PowerEYE® 360 has a round, open lens that radiates light in a 60° bundle and is ideally suited for use in ceilings and coverings, under kitchen cupboards, in book cases, cabinets and furniture, etc. The PowerEYE® 180 has a half-covered lens with a 45° light bundle that is best suited to a vertical (wall) positioning. This model is perfected suited



for building into wall coverings such as tiles, wood, decorative gravel and stucco. Use in skirting boards and staircases, for example, also produces a splendid result.

Timeless and Stylish

People with many different backgrounds have already discovered the added value of Eyeleds® and appreciate both the functionality and the stylish and timeless character of the product in its various applications. The worldwide expansion in the use of Eyeleds® products in prestigious projects bears witness to this!

Impress yourself with Eyeleds®!



Stylish and decorative

Safe and functional

Multifunctional applicable

Easy to install

Powerful, bright and durable light

Low operating temperature up to 55°C

Lifespan up to 50.000 hours

Dust and water-resistant (IP67 standard)

Extreme low energy consumption (1,5W)

Easy to replace afterwards

Resistant to impacts and UV radiation

3-year EU product-guarantee



PowerEYE® 360

Max. 8 pieces to connect on 1 power supply recess
Max. 3 pieces to connect on 1 power supply 'plug-in'



Brushed stainless steel / 'Cool White'

PowerEYE® 180


Max. 8 pieces to connect on 1 power supply recess
Max. 3 pieces to connect on 1 power supply 'plug-in'




Brushed stainless steel / 'Cool White'

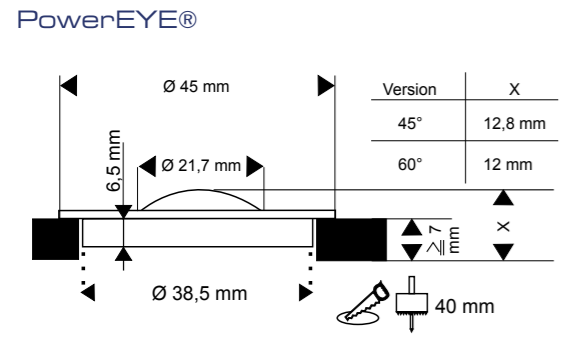
PowerEYE® Multi Connector System Components:

Power Supply Recess Power Supply 'plug-in' T-splitter Extension cable

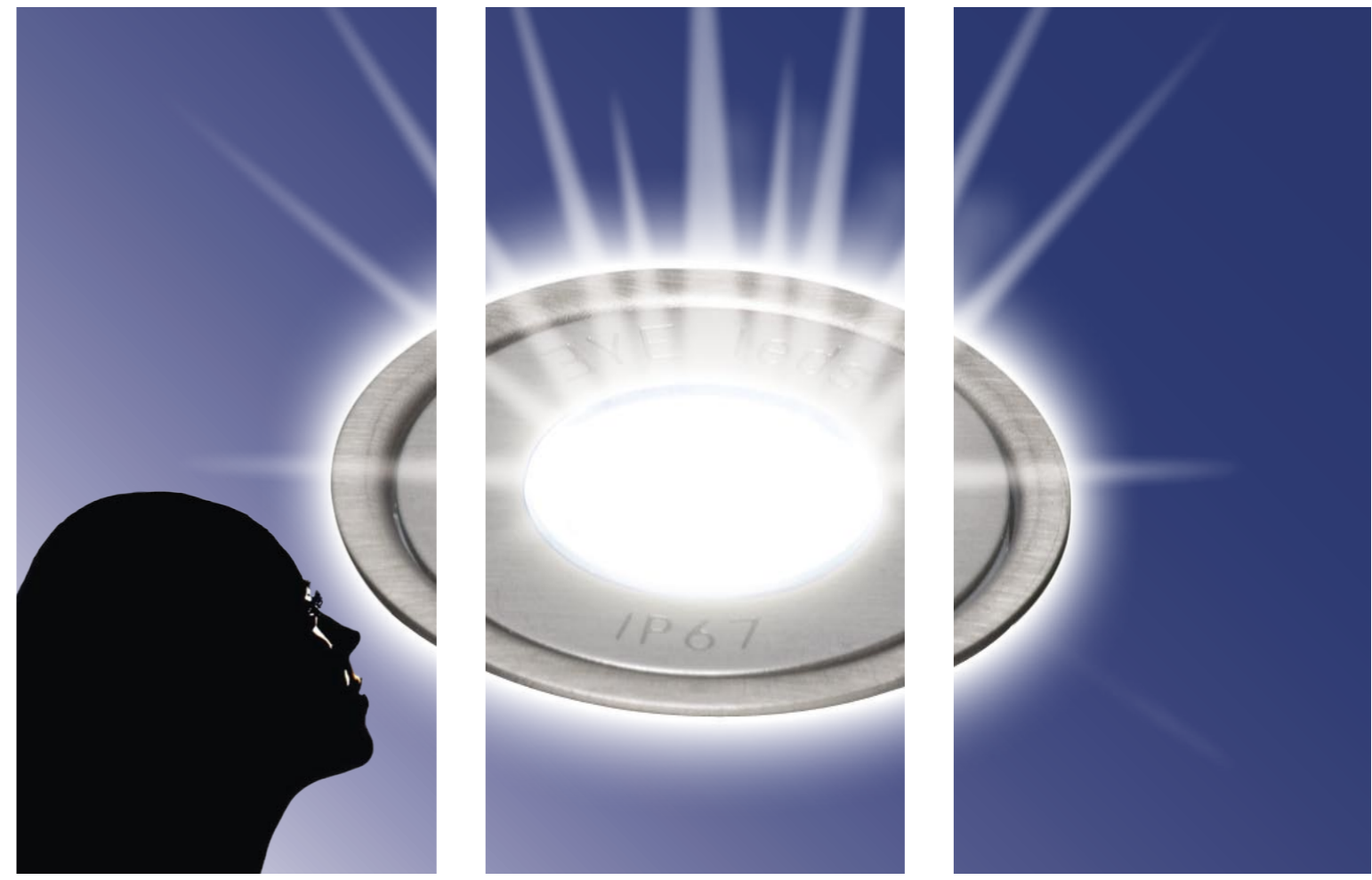


Technical data:



PowerEYE® 360 Multi Connector PowerEYE® 180 Multi Connector

Impress yourself with Eyeleds®...

www.eyeleds.com
info@eyeleds.com

Your Eyeleds® Dealer