

## Parquet - Laminate - Carpet

### New design possibilities with Eyeleds®

With its innovative LED lighting systems, Eyeleds® gives your parquet, laminate or carpet floor the absolute finishing touch! Unique to Eyeleds® are the wide range of choices, the flexibility and, last but not least, the ease with which the floor installer can fit the lighting at the same time as the floor is laid. This ease of installation is the result of the extremely shallow depth (only 6.5mm) of the lighting. As a consequence, it is possible to use Eyeleds® in floors with a thickness of 7mm or more.

With Eyeleds® you achieve the perfect atmosphere in every room, both inside and outside!

### High-quality, durable and flexible

Eyeleds® complies with the strictest quality and safety requirements for indoor and outdoor floor lighting. The hard-wearing, waterproof (IP67) housing is made from stainless steel and is fitted with UV resistant materials. By using high-quality LED technology (SMD technology), Eyeleds® is able to maintain the original intensity of light over an exceptionally long period. Durability tests have shown that even after 3 years of continuous use, no real difference can be seen compared with the intensity of light of a new model!

By working closely with specialists from the flooring sector, the Eyeleds® system is designed in such a way that the installation does not necessarily have to be performed by a qualified electrician. A clearly written manual, complete with illustrations, which guides you step-by-step through the installation process, contributes to simplicity, safety and an optimum end result. Have a look on the website for a first impression!

### Energy consumption, Installation and Maintenance costs

The usage costs of the Eyeleds® system are very low. The electricity consumption of the round model is, for example, only 0.3W. Because Eyeleds® achieves an average life of 100,000 hours (PowerEYE® up to 50,000 hours), the lighting needs virtually no looking after following



installation and the maintenance costs are actually negligible. Should problems nevertheless occur, an individual fitting can easily be replaced without the floor being broken open.

### Orientation and Marking

Besides the creation of decorative accents, Eyeleds® is extremely suitable for orientation and marking lighting. If you are climbing dark stairs, for example, Eyeleds® provides sufficient guiding light so that it is unnecessary to switch on other lights.

### Timeless and Stylish

People with many different backgrounds have already discovered the added value of Eyeleds® and value both the functionality and the stylish and timeless character of the product in its various applications. The worldwide expansion in the use of Eyeleds® products in prestigious projects bears witness to this!

### Impress yourself with Eyeleds®!



Clear and powerful light (SMD LEDs)  
 Lifespan up to 100.000 hours  
 Stylish and decorative  
 Safe and functional  
 High-quality design

Extreme low energy consumption  
 Solid "drive/walk-over" construction  
 Dust and water-resistant (IP67 standard)  
 Resistant to impacts and UV radiation  
 Easy to install

3-year EU product-guarantee  
 Tested by VDE / KEMA  
 'Easy connect' plug system  
 Multifunctional applicable  
 Easy to replace afterwards

The different versions:

**Eyeleds® Round**

Max. 40 pieces to connect on 1 power supply recess  
Max. 10 pieces to connect on 1 power supply 'plug-in'



Brushed stainless steel / white LED  
Brushed stainless steel / blue LED  
Brushed stainless steel / amber LED  
Brushed stainless steel / green LED  
Brushed brass / white LED  
Brushed brass / amber LED

**Eyeleds® Guide**

Max. 40 pieces to connect on 1 power supply recess  
Max. 10 pieces to connect on 1 power supply 'plug-in'



Brushed stainless steel / white LED  
Brushed stainless steel / blue LED  
Brushed stainless steel / amber LED  
Brushed stainless steel / green LED  
Brushed brass / white LED  
Brushed brass / amber LED

**Eyeleds® Square**

Max. 20 pieces to connect on 1 power supply recess  
Max. 5 pieces to connect on 1 power supply 'plug-in'



Brushed stainless steel / white LED  
Brushed stainless steel / blue LED  
Brushed stainless steel / amber LED  
Brushed brass / white LED  
Brushed brass / amber LED

**PowerEYE®\***

Max. 8 pieces to connect on 1 power supply recess  
Max. 3 pieces to connect on 1 power supply 'plug-in'



Brushed stainless steel / 'cool white' LED open  
Brushed stainless steel / 'cool white' LED half-open

**ColorEYE® CS\***

Max. 22 pieces to connect on 1 power supply recess CS



Brushed stainless steel / RGB LED

**ColorEYE® Pro\***

Max. 18 pieces to connect on 1 power supply Pro



Brushed stainless steel / RGB LED

\* A specific product flyer is available for separate product versions.

Eyeleds® System Components:

Power Supply Recess    Power Supply 'plug-in'    T-Splitter    Extension cable    LED fixture

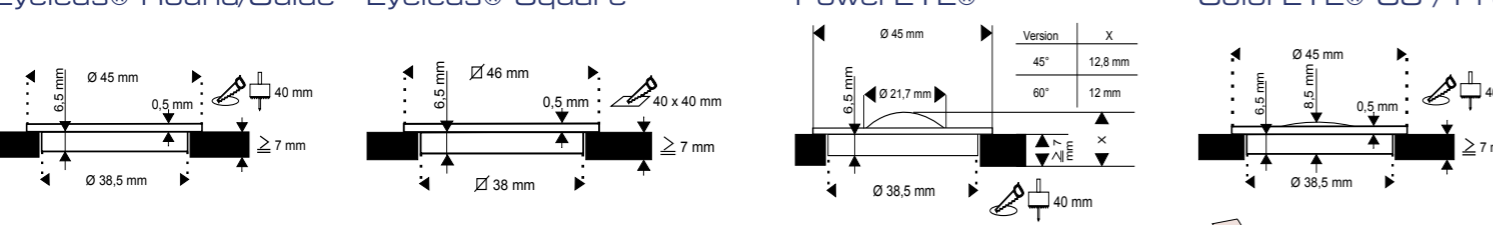


EUR / UK version available

Available as: 1L, 3L, 5L, 8L & 20L

Technical data Eyeleds® Indoor:

Eyeleds® Round/Guide    Eyeleds® Square    PowerEYE®    ColorEYE® CS / Pro

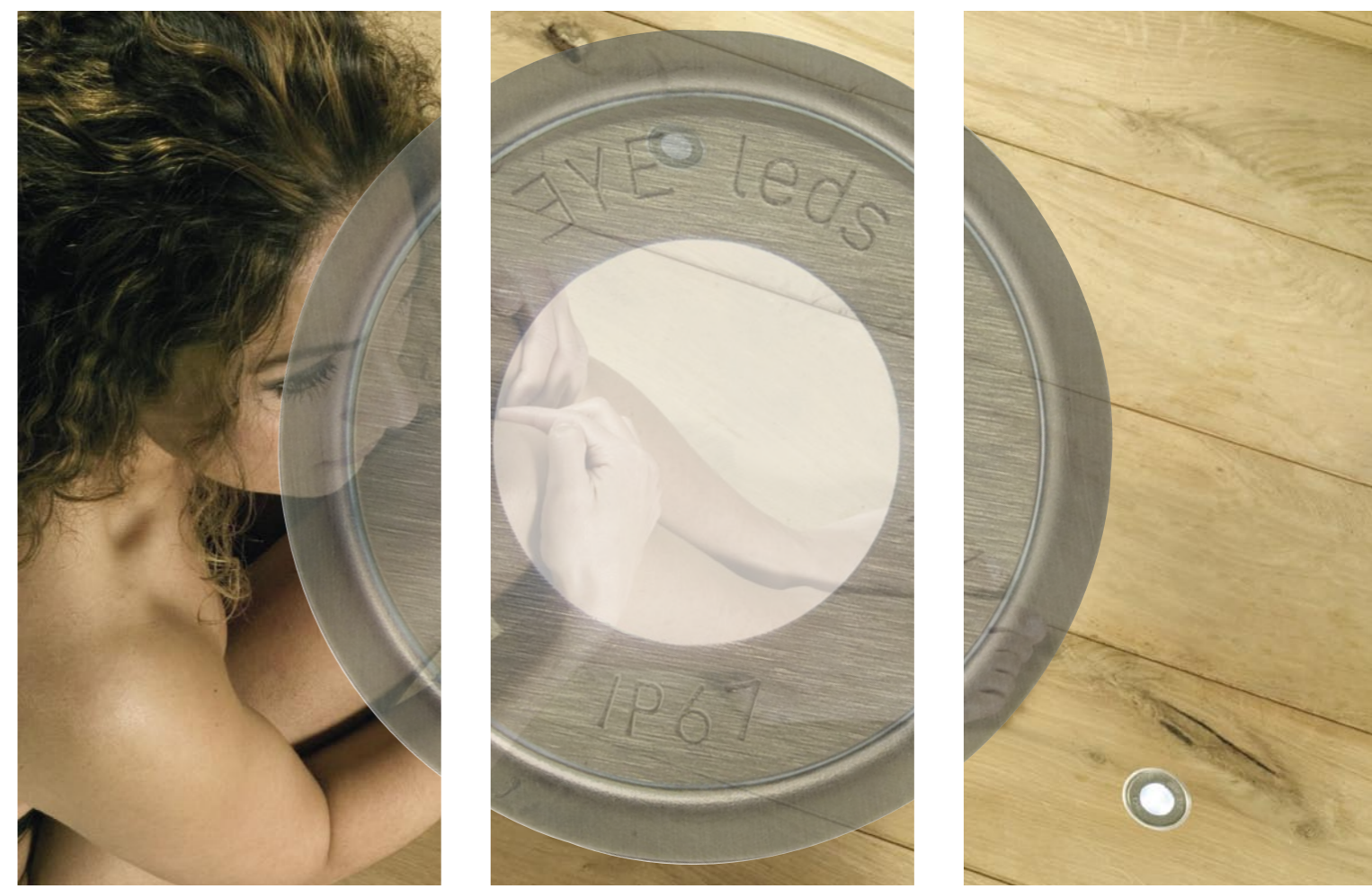


Version	X
45°	12,8 mm
60°	12 mm

CE    PRODUCED ACC. ISO-9001    VDE REC. Nr. 4011 REC. Nr. 8023    KEMA    IP67    F    III    H<sub>2</sub>O    34°C / 50°C    Min. Max.    H<sub>2</sub>O



Eyeleds® Parquet - Laminate - Carpet



Impress yourself with Eyeleds®...

[www.eyeleds.com](http://www.eyeleds.com)  
[info@eyeleds.com](mailto:info@eyeleds.com)

Your Eyeleds® Dealer

EYELEDS® is a trade mark and business unit of Lighting Partner BV. www.lightingpartner.com  
Although great care has been taken to compile this brochure, neither the authors nor the publisher accept any liability for damage arising due to mistakes and/or shortcomings in the same.

601351101EEN